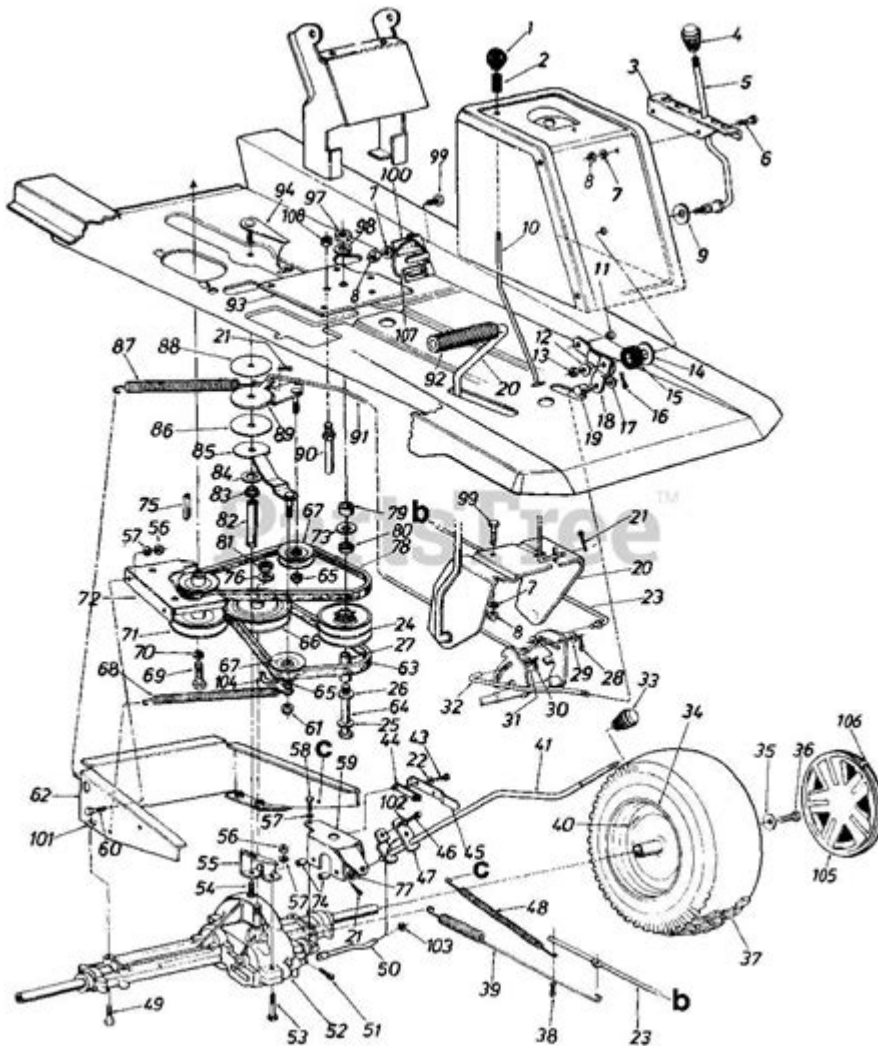


Woods Cadet 72 Parts Diagram



Woods Cadet 72 Parts Diagram is an essential resource for anyone who owns or maintains a Woods Cadet 72 mower. This detailed diagram helps users to identify each component of their machine, facilitating repairs, replacements, and routine maintenance. Understanding the parts of your mower not only enhances its longevity but also ensures optimal performance. In this article, we will explore the various components of the Woods Cadet 72, how to read its parts diagram, common issues, and maintenance tips that every user should know.

Understanding the Woods Cadet 72

The Woods Cadet 72 is a well-known mower, recognized for its reliability and performance in landscaping and agricultural applications. A part of the Woods equipment lineup, this mower is designed for heavy-duty use and can tackle a variety of terrains. Its robust build, coupled with a powerful engine, makes

it a favorite among lawn care professionals and homeowners alike.

Key Features

- Cutting Width: The 72-inch cutting deck allows for efficient mowing of large areas.
- Engine Type: Typically equipped with a powerful gas engine, providing ample horsepower for tough mowing jobs.
- Durability: Made with high-quality materials, the Woods Cadet 72 is built to withstand the rigors of daily use.
- Ease of Use: Features like adjustable cutting heights and easy maneuverability make it user-friendly.

Parts of the Woods Cadet 72

Understanding the anatomy of the Woods Cadet 72 is crucial for efficient maintenance. Below, we break down the major components of the mower, as illustrated in the parts diagram.

1. Cutting Deck

The cutting deck is the heart of the mower, where the blades rotate to cut grass.

- Blades: Sharp, steel blades that can be replaced or sharpened.
- Deck Housing: Protects the blades and supports the cutting mechanism.
- Deck Lift: Adjusts the height of the cutting deck for different grass lengths.

2. Engine Assembly

The engine assembly powers the mower and includes several critical components.

- Engine Block: The main component housing the internal parts of the engine.
- Fuel Tank: Stores the gasoline needed for operation.
- Air Filter: Keeps dirt and debris from entering the engine.
- Spark Plug: Ignites the fuel-air mixture, starting the engine.

3. Transmission System

The transmission system controls the speed and movement of the mower.

- Drive Belt: Transfers power from the engine to the wheels.
- Transmission Gear: Adjusts the speed and torque sent to the wheels.
- Differential: Allows for smoother turning and better traction on uneven surfaces.

4. Wheels and Tires

Wheels and tires are essential for mobility and stability.

- Front Wheels: Usually smaller for better maneuverability.
- Rear Wheels: Larger for support and traction.
- Tires: Designed for different terrains, providing grip and durability.

5. Control Panel

The control panel houses the essential controls for operating the mower.

- Throttle Control: Regulates the engine speed.
- Choke Lever: Helps start the engine when cold.
- Ignition Switch: Powers the mower on and off.
- Cutting Height Adjustment: Allows users to change the blade height easily.

Reading the Parts Diagram

The Woods Cadet 72 Parts Diagram is a visual representation of all components in the mower. Here's how to effectively read and utilize the diagram.

1. Identifying Components

The diagram typically labels each part with a corresponding number or code. Use a parts list to find detailed descriptions of each component, which can help in ordering replacements.

2. Understanding Connections

Observe how different parts connect. For instance, understanding how the drive belt connects the engine to the transmission can help diagnose issues related to power transfer.

3. Maintenance Reference

Use the diagram as a maintenance reference. Knowing where each part is located helps in performing regular checks and repairs.

Common Issues and Troubleshooting

Even the best mowers can face issues over time. Here are some common problems associated with the Woods Cadet 72 and how to troubleshoot them.

1. Engine Won't Start

- Check Fuel Level: Ensure there's fuel in the tank.
- Inspect Spark Plug: A dirty or faulty spark plug can prevent starting. Clean or replace it if necessary.
- Examine Battery: If equipped, ensure the battery is charged and connections are secure.

2. Uneven Cutting

- Blade Condition: Check if the blades are dull or damaged.
- Deck Leveling: Ensure the cutting deck is level. Adjust if necessary.

3. Transmission Problems

- Belt Wear: Check the drive belt for wear and replace if needed.
- Fluid Levels: Ensure that the transmission fluid is at the correct level.

4. Excessive Vibration

- Blade Balance: Ensure blades are properly balanced.
- Tighten Loose Parts: Check for any loose screws or bolts that may cause vibrations.

Maintenance Tips for the Woods Cadet 72

Regular maintenance is key to ensuring the longevity and optimal performance of your Woods Cadet 72. Here are some essential tips:

1. Regular Cleaning

- Clean the cutting deck after each use to prevent grass buildup.
- Remove debris from the engine and air filter to improve airflow.

2. Blade Maintenance

- Sharpen blades at least once a season for a clean cut.
- Replace blades that show signs of excessive wear.

3. Fluid Checks

- Check oil levels regularly and change oil as recommended.
- Inspect hydraulic fluid levels in the transmission system.

4. Seasonal Checks

- Before the mowing season starts, perform a full check of all parts.
- After the season ends, store the mower properly by draining fuel and cleaning it thoroughly.

Conclusion

The Woods Cadet 72 Parts Diagram is an invaluable tool for anyone who owns this mower. By familiarizing yourself with the components, understanding how to read the diagram, and following maintenance tips, you can ensure that your mower runs efficiently for years to come. Whether you're a professional landscaper or a homeowner taking care of your lawn, the Woods Cadet 72 offers reliability and performance that is hard to beat. With proper care and attention, you can keep your mower in top shape, ready to tackle any mowing job.

Frequently Asked Questions

What is the Woods Cadet 72?

The Woods Cadet 72 is a type of rotary cutter used for mowing grass and clearing brush in agricultural and landscaping applications.

Where can I find the parts diagram for the Woods Cadet 72?

The parts diagram for the Woods Cadet 72 can typically be found on the official Woods Equipment website or through authorized dealers.

Why is a parts diagram important for maintenance?

A parts diagram is important for maintenance as it helps users identify components, understand assembly, and locate replacement parts easily.

What are some common parts included in the Woods Cadet 72 parts diagram?

Common parts include the blade assembly, gear box, tail wheel, and various hardware such as bolts and spacers.

Can I use the parts diagram to order replacement parts?

Yes, the parts diagram can be used to identify and order the correct replacement parts from suppliers or dealers.

Is there a manual available for the Woods Cadet 72?

Yes, a manual is available and usually contains the parts diagram, operating instructions, and maintenance information.

How do I interpret the parts diagram for the Woods Cadet 72?

To interpret the parts diagram, refer to the labeled components and corresponding part numbers, ensuring you match them with your specific model.

What should I do if a part is missing from my Woods Cadet 72?

If a part is missing, consult the parts diagram to identify the part number and contact a dealer or supplier to order a replacement.

Are there any online forums for discussing Woods Cadet 72 issues?

Yes, there are various online forums and communities where users share tips, troubleshooting advice, and information related to the Woods Cadet 72.

Find other PDF article:

<https://soc.up.edu.ph/47-print/pdf?ID=jjE67-3123&title=police-exam-study-guide.pdf>

woods forest -

Jan 30, 2007 · woods forest wood forest wood forest wood forest wood forest wood forest woods ...

The Cabin in the Woods (2012) -

Apr 12, 2025 · The Cabin in the Woods (2012) 1

miles to go before i sleep -

The woods are lovely, dark and deep, But I have promises to keep, And miles to go before I sleep, And miles to go before I sleep. ...

Explore the Woods Cadet 72 parts diagram to understand your equipment better. Discover how each component works for optimal performance. Learn more now!

[Back to Home](#)