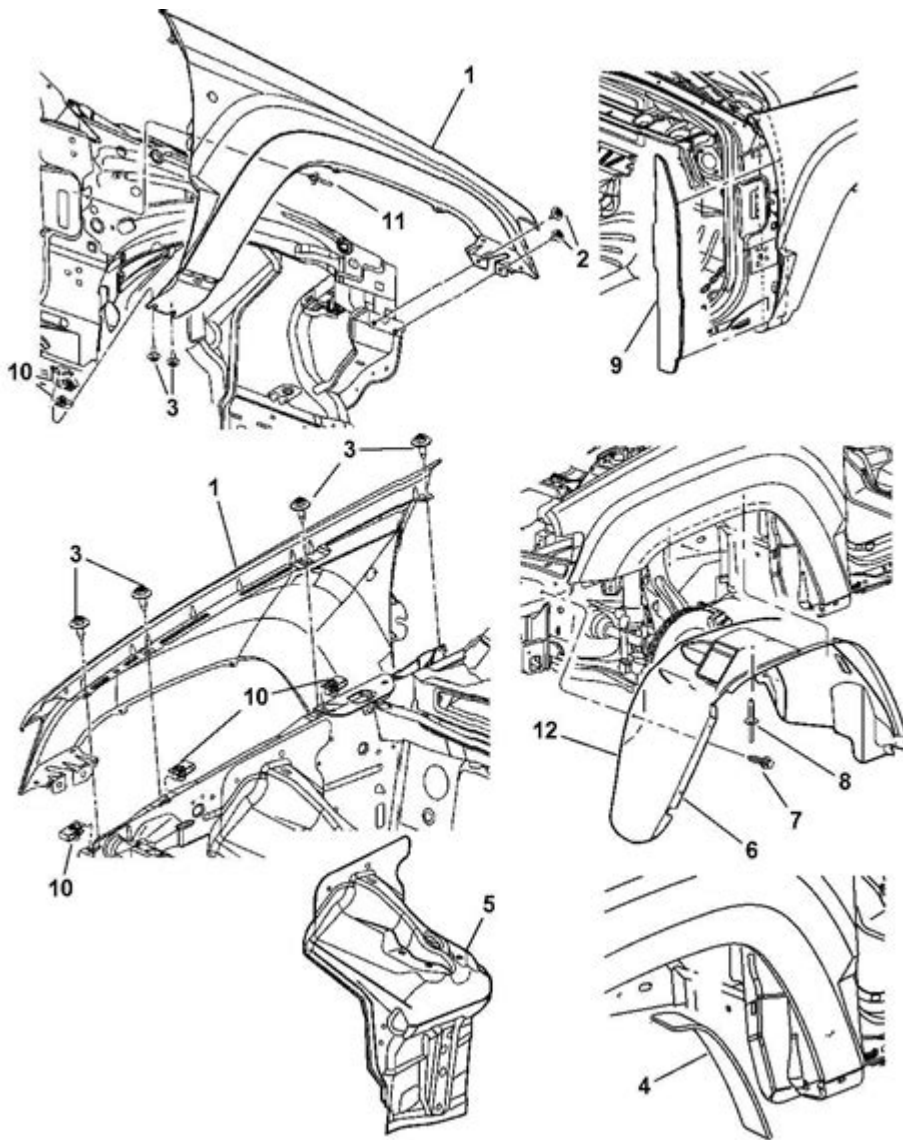


Jeep Cherokee Body Parts Diagram



Jeep Cherokee body parts diagram is an essential tool for both amateur and professional mechanics, as well as Jeep enthusiasts. Understanding the various components that make up the body of a Jeep Cherokee can facilitate better maintenance, repairs, and modifications. This article will delve into the complex anatomy of the Jeep Cherokee, breaking down its body parts, their functions, and their significance in ensuring the vehicle's performance and safety.

Overview of the Jeep Cherokee

The Jeep Cherokee is a compact SUV that has been a staple of the Jeep brand since its introduction in 1974. Over the years, it has evolved through multiple generations, each bringing enhancements in design, technology, and capability. The Jeep Cherokee is known for its rugged build, off-road capabilities, and spacious interiors. Understanding its body parts is crucial for anyone looking to maintain or upgrade their Cherokee.

Understanding the Body Parts Diagram

A Jeep Cherokee body parts diagram is a visual representation that labels each component of the vehicle's body structure. This diagram can vary slightly depending on the model year and trim level, but it typically includes the following main sections:

1. Front Body Parts

The front section of the Jeep Cherokee is engineered to provide both aesthetics and functionality. Key components include:

- Hood: Protects the engine and provides easy access for maintenance.
- Fenders: Located on either side of the front, they protect the wheels and house the wheel wells.
- Front Bumper: Offers protection during minor collisions and houses various accessories like fog lights.
- Grille: Allows airflow to the engine while providing a distinct style.
- Headlights: Essential for visibility during nighttime driving and adverse weather conditions.

2. Side Body Parts

The side profile of the Jeep Cherokee contributes significantly to its aerodynamics and style. Important components are:

- Doors: Provide access to the interior and are designed for safety and security.
- Side Mirrors: Essential for visibility and safety while driving.
- Rockers: Located beneath the doors, they add structural integrity and protect against road debris.
- Quarter Panels: The rear side panels that help define the vehicle's silhouette.

3. Rear Body Parts

The rear section of the Jeep Cherokee is designed for both utility and style. Key parts include:

- Tailgate: Provides access to the cargo area and can often be used as a platform for loading and unloading.
- Rear Bumper: Similar to the front, it provides protection and houses rear lights.
- Taillights: Indicate braking and turning to other drivers, enhancing safety.
- Liftgate Glass: Serves as a window for visibility and can often be opened independently of the tailgate.

Detailed Breakdown of Key Body Parts

Understanding specific body parts and their functionalities can aid in better maintenance and repairs. Here's a deeper dive into some of the crucial components:

1. Hood

The hood not only protects the engine but also plays a role in aerodynamics. When inspecting the hood, look for:

- Hinges: Ensure they are well-lubricated for smooth operation.
- Latches: Check that they function properly to prevent accidental openings.
- Insulation: This helps reduce engine noise and prevents heat from entering the cabin.

2. Fenders

Fenders shield the vehicle from debris and protect the wheel wells. They also enhance the overall look of the Cherokee. Key points to consider:

- Rust Prevention: Regularly check for rust, especially in areas exposed to road salt.
- Alignment: Ensure fenders are properly aligned to prevent tire rubbing during turns.

3. Bumpers (Front and Rear)

Bumpers are crucial for absorbing impact during low-speed collisions. They often include:

- Reinforcement Bars: These provide structural support.
- Sensors: Modern bumpers may include parking sensors or cameras for enhanced safety.

4. Doors

Doors are vital for providing access to the vehicle while also contributing to safety features. Important

aspects include:

- Locks and Seals: Ensure that the locks function properly and that the seals prevent water leaks.
- Window Mechanisms: Regularly check the power window mechanisms for smooth operation.

Maintenance Tips for Jeep Cherokee Body Parts

Maintaining the body parts of your Jeep Cherokee is essential for longevity and performance. Here are some practical tips:

- Regular Wash and Wax: This protects the paint and prevents rust formation.
- Inspect Seals and Gaskets: Regular inspections can prevent leaks and water damage.
- Check for Dents and Scratches: Address these issues promptly to prevent corrosion.
- Lubricate Hinges and Latches: Regular lubrication ensures smooth operation of doors and the hood.

Common Issues with Jeep Cherokee Body Parts

Understanding common issues can help you identify problems early on:

- Rust: Often found in wheel wells and undercarriage, especially in older models.
- Paint Chipping: Can occur due to debris and weather conditions.
- Dents: Caused by collisions or parking mishaps.
- Electrical Issues: Problems with lights or sensors may arise due to wear and tear.

Upgrading Body Parts

For enthusiasts looking to enhance their Jeep Cherokee, numerous aftermarket options are available.

Upgrades can improve aesthetics, functionality, and off-road capabilities:

- Aftermarket Bumpers: Offer better protection and can include winch mounts.
- Custom Fenders: Wider fenders can accommodate larger tires for off-roading.
- Hood Vents: Enhance cooling and provide a sporty look.
- LED Lighting: Upgrading to LED lights can improve visibility and modernize the vehicle's appearance.

Conclusion

A Jeep Cherokee body parts diagram is invaluable for anyone looking to maintain or modify their vehicle. Understanding the various components and their functions enhances your ability to perform repairs and upgrades effectively. By keeping your Jeep Cherokee in top condition, you ensure a safe and enjoyable driving experience, whether on or off the road. Regular maintenance, awareness of common issues, and knowledge of potential upgrades will keep your Cherokee performing at its best for years to come.

Frequently Asked Questions

What are the main body parts of a Jeep Cherokee?

The main body parts of a Jeep Cherokee include the chassis, doors, fenders, hood, roof, quarter panels, and bumpers.

Where can I find a detailed body parts diagram for the Jeep Cherokee?

You can find a detailed body parts diagram for the Jeep Cherokee in the vehicle's service manual, online forums, or automotive repair websites.

How do I interpret a Jeep Cherokee body parts diagram?

To interpret a Jeep Cherokee body parts diagram, identify the labeled components, understand the relationship between parts, and refer to the legend or key for clarification.

Are there different body parts diagrams for various Jeep Cherokee models?

Yes, different Jeep Cherokee models and years may have variations in body parts, so it's important to refer to the specific diagram for your model and year.

What tools do I need to replace body parts on a Jeep Cherokee?

To replace body parts on a Jeep Cherokee, you typically need basic hand tools like wrenches, screwdrivers, pliers, and possibly power tools like a drill or impact wrench.

Can I order replacement body parts for my Jeep Cherokee online?

Yes, you can order replacement body parts for your Jeep Cherokee online from various auto parts retailers, manufacturer websites, or platforms like eBay and Amazon.

What common issues might require checking the Jeep Cherokee body parts diagram?

Common issues that may require checking the body parts diagram include collision damage, rust repair, and replacing worn-out components like bumpers or fenders.

Is there a specific body parts diagram for aftermarket modifications for the Jeep Cherokee?

Yes, many aftermarket companies provide specific body parts diagrams for modifications such as lift kits, custom bumpers, or fender flares, which can be found on their websites.

Find other PDF article:

Jeep Cherokee Body Parts Diagram

Why your steering wanders or seems loose. - Jeep Enthusiast Forums

Oct 6, 2023 · Why your steering wanders or seems loose One of the biggest issues with Jeeps and a topic that almost repeats itself in a new thread each week is "wandering or loose ...

Jeep Wrangler Forums

Jun 13, 2025 · The Jeep Wrangler (JL) is the fourth generation of the Wrangler off-road vehicle, available in two- and four-door bodies starting in 2017. Forum sponsored by: Quadratec

AUX Battery Location | Jeep Enthusiast Forums

Dec 5, 2024 · Here it is for anyone that stumbles onto this post: (11) Jeep Grand Cherokee Stop / Start Unavailable Service Fix Auxiliary Battery location & Replacement - YouTube EDIT: In ...

Starting System Diagnostics - Jeep Enthusiast Forums

Dec 27, 2010 · Jeep Enthusiast Forums provides answers from our community and over 22 other related forums.

All Marketplace Listings - Jeep Enthusiast Forums

Jun 14, 2025 · For Sale Jeep CJ5 CJ7 CJ8 Whitco soft top frame parts & hardware, rods, plastic trim, brackets \$240.00 mattt181 Apr 28, 2025 Body & Interior Parts Anaheim, California 0 196

Anyone tow a camper with the Gladiator? - Jeep Enthusiast Forums

Dec 18, 2024 · Looking into getting a gladiator within the next 6 months or so. Mostly looking at used but who knows. May eventually want to tow a small camper less than 20 ft long. Has ...

YJ Wrangler Technical Forum - Jeep Enthusiast Forums

Jul 12, 2007 · Second generation of the classic Jeep - manufactured from 1987 till 1995. Known by their square headlights.

2025 Grand Cherokee - Jeep Enthusiast Forums

Jul 13, 2025 · Jeep Enthusiast Forums provides answers from our community and over 22 other related forums.

1984 Jeep CJ-7 (May Sell, No Clue On Value)

Jul 15, 2025 · 304-Powered 1984 Jeep CJ-7 Bid for the chance to own a 304-Powered 1984 Jeep CJ-7 at auction with Bring a Trailer, the home of the best vintage and classic cars online. Lot ...

2024 grand cherokee intermittent issues - Jeep Enthusiast Forums

Dec 16, 2024 · Jeep Enthusiast Forums provides answers from our community and over 22 other related forums.

Why your steering wanders or seems loose. - Jeep Enthusiast ...

Oct 6, 2023 · Why your steering wanders or seems loose One of the biggest issues with Jeeps and a topic that almost repeats itself in a new thread each week is "wandering or loose steering". As a

forum contributor on JeepForum for close to 5 years now, I see it over and over. I'll first volunteer that...

Jeep Wrangler Forums

Jun 13, 2025 · The Jeep Wrangler (JL) is the fourth generation of the Wrangler off-road vehicle, available in two- and four-door bodies starting in 2017. Forum sponsored by: Quadratec

AUX Battery Location | Jeep Enthusiast Forums

Dec 5, 2024 · Here it is for anyone that stumbles onto this post: (11) Jeep Grand Cherokee Stop / Start Unavailable Service Fix Auxiliary Battery location & Replacement - YouTube EDIT: In case that link becomes broken, it's under the front passenger seat indeed. Roll the seat all the way forward and access from the rear passenger side door. Both main and aux batteries are there. ...

Starting System Diagnostics - Jeep Enthusiast Forums

Dec 27, 2010 · Jeep Enthusiast Forums provides answers from our community and over 22 other related forums.

All Marketplace Listings - Jeep Enthusiast Forums

Jun 14, 2025 · For Sale Jeep CJ5 CJ7 CJ8 Whitco soft top frame parts & hardware, rods, plastic trim, brackets \$240.00 mattt181 Apr 28, 2025 Body & Interior Parts Anaheim, California 0 196

Anyone tow a camper with the Gladiator? - Jeep Enthusiast Forums

Dec 18, 2024 · Looking into getting a gladiator within the next 6 months or so. Mostly looking at used but who knows. May eventually want to tow a small camper less than 20 ft long. Has anyone done this? What are the real world limits a gladiator can safely tow? Thanks

YJ Wrangler Technical Forum - Jeep Enthusiast Forums

Jul 12, 2007 · Second generation of the classic Jeep - manufactured from 1987 till 1995. Known by their square headlights.

2025 Grand Cherokee - Jeep Enthusiast Forums

Jul 13, 2025 · Jeep Enthusiast Forums provides answers from our community and over 22 other related forums.

1984 Jeep CJ-7 (May Sell, No Clue On Value)

Jul 15, 2025 · 304-Powered 1984 Jeep CJ-7 Bid for the chance to own a 304-Powered 1984 Jeep CJ-7 at auction with Bring a Trailer, the home of the best vintage and classic cars online. Lot #55,174.

2024 grand cherokee intermittent issues - Jeep Enthusiast Forums

Dec 16, 2024 · Jeep Enthusiast Forums provides answers from our community and over 22 other related forums.

Explore our comprehensive Jeep Cherokee body parts diagram to identify every component of your vehicle. Learn more about repairs and upgrades today!

[Back to Home](#)