

Heatcraft Freezer Evaporator Wiring Diagram

U.S. Patent Nov. 16, 1982 Sheet 2 of 2 4,358,933

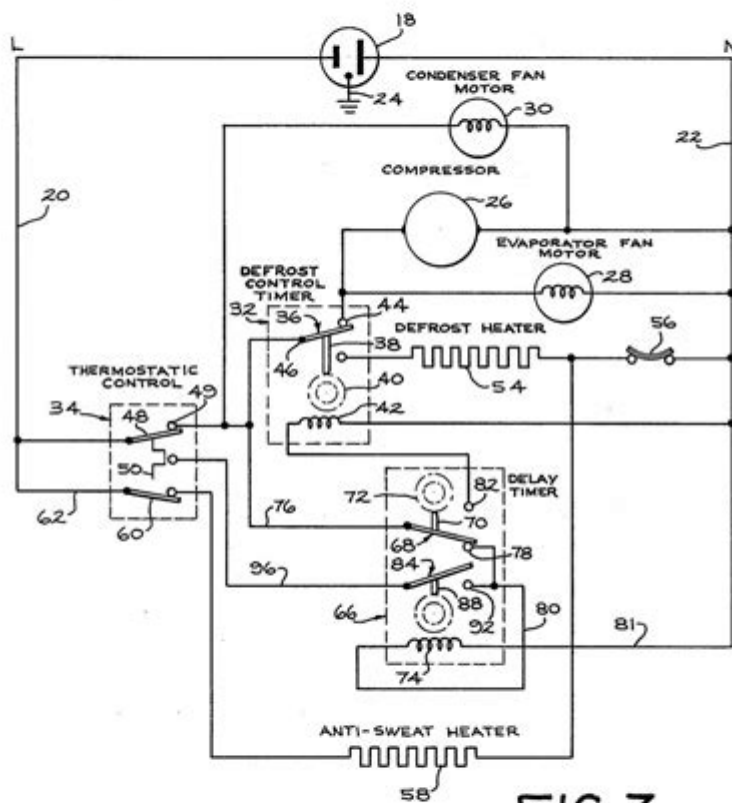


FIG. 3

Heatcraft freezer evaporator wiring diagram is an essential resource for technicians and professionals working with refrigeration systems. Understanding the intricacies of the wiring diagram not only enhances the efficiency of the cooling system but also ensures safe and effective operation. In this guide, we'll delve into the components of a Heatcraft freezer evaporator, the significance of the wiring diagram, and the step-by-step process to effectively interpret and utilize this crucial tool.

Understanding Heatcraft Freezer Evaporators

Heatcraft is a leading manufacturer of refrigeration equipment, and their freezer evaporators are vital for maintaining low temperatures in commercial refrigeration systems. The evaporator's primary function is to absorb heat from the environment and transfer it to the refrigerant, which is then cycled back into the system.

Key Components of a Freezer Evaporator

Before diving into the wiring diagram, it's important to understand the main components of the freezer evaporator:

1. Evaporator Coil: The primary component that absorbs heat.
2. Fan: Circulates air over the evaporator coil to facilitate heat exchange.
3. Drain Pan: Collects condensation that forms on the coil.
4. Defrost Heater: Melts frost buildup on the evaporator coil during defrost cycles.
5. Expansion Valve: Regulates the flow of refrigerant into the evaporator.

Each of these components plays a crucial role in the overall functionality of the system, and their proper wiring is essential for efficient operation.

The Importance of Wiring Diagrams

Wiring diagrams serve as a vital blueprint for technicians, allowing them to understand the electrical connections and circuitry involved in the freezer evaporator system. A clear wiring diagram enables professionals to troubleshoot issues, perform repairs, and ensure that all components are correctly connected.

Benefits of Using a Wiring Diagram

Using a wiring diagram has several advantages, including:

- Troubleshooting: Quickly identify problems in the electrical system.
- Installation: Simplifies the installation process by providing clear instructions.
- Maintenance: Aids in routine inspections and preventative maintenance.
- Safety: Ensures compliance with electrical standards, reducing the risk of electrical hazards.

Interpreting the Heatcraft Freezer Evaporator Wiring Diagram

To effectively use the Heatcraft freezer evaporator wiring diagram, it's essential to familiarize

yourself with its symbols and layout. The diagram will typically include:

- Symbols: Standard electrical symbols represent different components (e.g., fans, heaters, terminals).
- Lines: Indicate wires and connections between components.
- Labels: Provide information on voltage ratings, wire colors, and component identification.

Common Symbols Found in Wiring Diagrams

Understanding common symbols is crucial for reading wiring diagrams effectively:

- Circles: Often represent electrical components, such as fans and lights.
- Lines: Indicate the connection between components; solid lines typically represent power connections, while dashed lines may indicate control circuits.
- Arrows: Show the direction of current flow.

Step-by-Step Guide: Wiring a Heatcraft Freezer Evaporator

Wiring a Heatcraft freezer evaporator involves several steps to ensure proper functionality and safety. Follow this step-by-step guide:

Step 1: Gather Necessary Tools and Materials

Before starting, ensure you have the following tools and materials:

- Phillips and flathead screwdrivers
- Wire strippers and cutters
- Electrical tape
- Multimeter
- Heatcraft wiring diagram specific to your model

Step 2: Turn Off Power Supply

Safety is paramount. Before beginning any work on the wiring, turn off the power supply to the freezer evaporator to prevent electrical shock.

Step 3: Identify and Label Wires

Using the wiring diagram, identify each wire according to its function. Label them if necessary to

avoid confusion during installation.

Step 4: Connect the Components

- Connect the fan motor: Wire the fan motor according to the diagram, ensuring that the connections are secure.
- Wire the defrost heater: Follow the diagram to connect the defrost heater, paying attention to the correct terminals.
- Attach the expansion valve: Ensure the expansion valve is wired properly to facilitate refrigerant flow.

Step 5: Check Connections

Double-check all connections against the wiring diagram to ensure accuracy. Look for any loose wires or incorrect connections that may cause malfunctions.

Step 6: Power On and Test

Once everything is connected, restore power to the unit. Use a multimeter to check voltage levels and ensure everything is functioning correctly. Monitor the system for any irregularities.

Common Issues and Troubleshooting Tips

Even with a well-executed wiring process, problems may still arise. Here are some common issues and troubleshooting tips:

Issue 1: No Power to the Evaporator

- Check the power supply: Ensure that the unit is plugged in and that the circuit breaker has not tripped.
- Inspect the wiring connections: Look for loose or damaged wires.

Issue 2: Fan Not Operating

- Test the fan motor: Use a multimeter to check for voltage at the fan motor terminals.
- Check for obstructions: Ensure there are no physical obstructions preventing the fan from turning.

Issue 3: Excessive Frost Buildup

- Inspect the defrost heater: Ensure it is functioning correctly and wired properly.
- Check the thermostat: A malfunctioning thermostat can cause improper cycling of the defrost cycle.

Conclusion

The **Heatcraft freezer evaporator wiring diagram** is a critical tool for anyone involved in the installation, maintenance, and repair of refrigeration systems. By understanding the components, interpreting the diagram, and following proper wiring procedures, technicians can ensure optimal performance and longevity of the equipment. Whether you're a seasoned professional or a budding technician, mastering the wiring diagram will enhance your skills and contribute to the efficient operation of commercial refrigeration systems. Always prioritize safety and consult the wiring diagram specific to your Heatcraft model for the best results.

Frequently Asked Questions

What is a Heatcraft freezer evaporator wiring diagram used for?

A Heatcraft freezer evaporator wiring diagram is used to illustrate the electrical connections and components within the evaporator unit, aiding in installation, troubleshooting, and maintenance.

Where can I find the wiring diagram for my specific Heatcraft freezer evaporator model?

You can find the wiring diagram for your specific Heatcraft freezer evaporator model in the service manual provided with the unit, on the Heatcraft website, or by contacting Heatcraft customer support.

What are common issues that can be diagnosed using the wiring diagram of a Heatcraft freezer evaporator?

Common issues that can be diagnosed using the wiring diagram include electrical shorts, incorrect wiring connections, and malfunctioning components such as compressors or fans.

Is it safe to work on the electrical wiring of a Heatcraft freezer evaporator without professional help?

It is recommended to seek professional help when working on the electrical wiring of a Heatcraft freezer evaporator, as improper handling can lead to electrical hazards or damage to the unit.

What tools do I need to interpret a Heatcraft freezer evaporator wiring diagram?

To interpret a Heatcraft freezer evaporator wiring diagram, you typically need basic tools like a multimeter, wire strippers, a screwdriver set, and possibly a flashlight for better visibility.

Find other PDF article:

<https://soc.up.edu.ph/20-pitch/files?docid=QBD67-5620&title=english-to-old-english-dictionary.pdf>

[Heatcraft Freezer Evaporator Wiring Diagram](#)

Heatcraft Refrigeration Products - The market leader in ...

May 25, 2021 · Heatcraft Refrigeration Products provides solutions for commercial and industrial refrigeration applications. We manufacture unit coolers, condensers, compressorized racks, ...

Modine Coils - Heatcraft Heat Transfer

Our Heatcraft® heat transfer brand is well-recognized globally for quality construction, exact fit, and long-life operation. Our team of experts are skilled engineers and craftsmen who have the ...

Magna Industrial Refrigeration Solutions | Heatcraft

Magna, a leading industrial refrigeration brand from Heatcraft, offers energy-efficient and reliable solutions for various industries. Explore our products now!

Heatcraft - HTS | Commercial & Industrial HVAC Systems, Parts ...

Our Heatcraft® heat transfer brand is well-recognized globally for quality construction, exact fit, and long-life operation. Our team of experts are skilled engineers and craftsmen who have the ...

[Heatcraft Parts & Manuals | Parts Town Canada](#)

Never lose your cool when it comes to buying real OEM Heatcraft replacement parts. Parts Town has the most in-stock Heatcraft cooler parts on the planet, meaning you'll be able to find ...

index - Heatcraft Refrigeration Products

Heatcraft Refrigeration Products is a long-standing provider of climate-control solutions in North America and a leader in the commercial refrigeration industry.

[Heatcraft Tools | Commercial Refrigeration Products | Heatcraft ...](#)

Heatcraft Worldwide Refrigeration provides climate-control solutions for commercial refrigeration and industrial applications in more than 70 countries.

Heatcraft

Heatcraft Worldwide Refrigeration was founded in 1990 and headquartered in Stone Mountain, GA. In that same year, Bohn's refrigeration line was acquired by Heatcraft.

[Heatcraft Coils, 315 Humberline Dr, Toronto, ON M9W 5T6, CA - MapQuest](#)

With a focus on providing efficient and reliable solutions for heating and cooling systems, Heatcraft

Coils serves a wide range of commercial and industrial clients in the Greater Toronto ...

Heatcraft Commercial Refrigeration Excellence. - Baker Dist

The Heatcraft family of market-leading brands is designed to offer the highest possible standard of quality, backed by decades of experience and service excellence.

Heatcraft Refrigeration Products - The market leader in ...

May 25, 2021 · Heatcraft Refrigeration Products provides solutions for commercial and industrial refrigeration applications. We manufacture unit coolers, condensers, compressorized racks, ...

Modine Coils - Heatcraft Heat Transfer

Our Heatcraft® heat transfer brand is well-recognized globally for quality construction, exact fit, and long-life operation. Our team of experts are skilled engineers and craftsmen who have the ...

Magna Industrial Refrigeration Solutions | Heatcraft

Magna, a leading industrial refrigeration brand from Heatcraft, offers energy-efficient and reliable solutions for various industries. Explore our products now!

Heatcraft - HTS | Commercial & Industrial HVAC Systems, Parts ...

Our Heatcraft® heat transfer brand is well-recognized globally for quality construction, exact fit, and long-life operation. Our team of experts are skilled engineers and craftsmen who have the ...

Heatcraft Parts & Manuals | Parts Town Canada

Never lose your cool when it comes to buying real OEM Heatcraft replacement parts. Parts Town has the most in-stock Heatcraft cooler parts on the planet, meaning you'll be able to find exactly ...

index - Heatcraft Refrigeration Products

Heatcraft Refrigeration Products is a long-standing provider of climate-control solutions in North America and a leader in the commercial refrigeration industry.

Heatcraft Tools | Commercial Refrigeration Products | Heatcraft ...

Heatcraft Worldwide Refrigeration provides climate-control solutions for commercial refrigeration and industrial applications in more than 70 countries.

Heatcraft

Heatcraft Worldwide Refrigeration was founded in 1990 and headquartered in Stone Mountain, GA. In that same year, Bohn's refrigeration line was acquired by Heatcraft.

Heatcraft Coils, 315 Humberline Dr, Toronto, ON M9W 5T6, CA - MapQuest

With a focus on providing efficient and reliable solutions for heating and cooling systems, Heatcraft Coils serves a wide range of commercial and industrial clients in the Greater Toronto Area and ...

Heatcraft Commercial Refrigeration Excellence. - Baker Dist

The Heatcraft family of market-leading brands is designed to offer the highest possible standard of quality, backed by decades of experience and service excellence.

"Explore our detailed guide on Heatcraft freezer evaporator wiring diagram. Get step-by-step instructions and troubleshooting tips. Learn more for efficient wiring!"

[Back to Home](#)