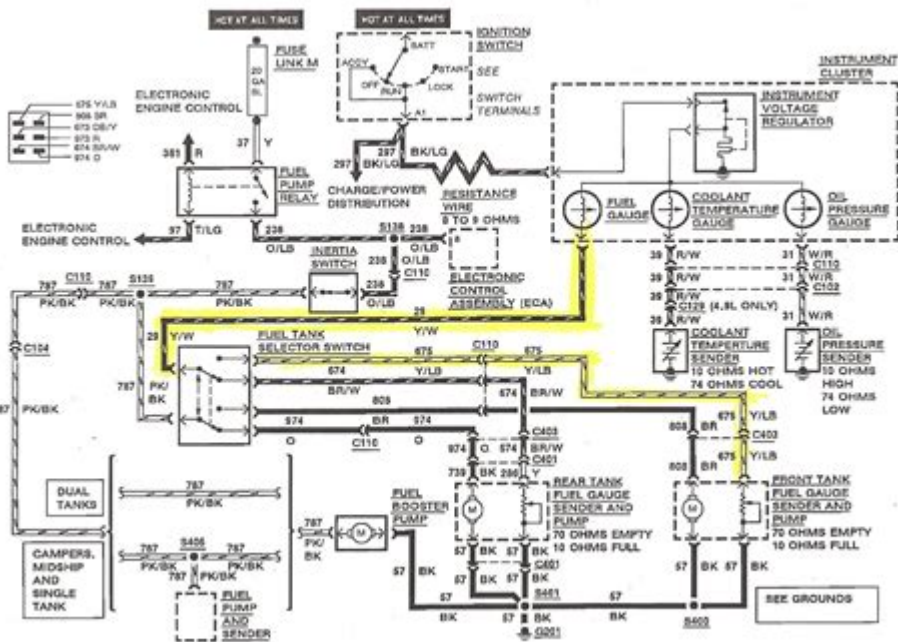


2005 Dodge Ram Wiring Diagram



2005 Dodge Ram wiring diagram is an essential tool for anyone looking to understand the electrical system of this popular truck model. Whether you're a seasoned mechanic, a DIY enthusiast, or just someone needing to troubleshoot issues, having access to a detailed wiring diagram can save you time, money, and frustration. In this article, we'll explore the significance of wiring diagrams, the specific wiring schemes for the 2005 Dodge Ram, and provide insights on how to use these diagrams effectively.

Understanding Wiring Diagrams

Wiring diagrams are visual representations of the electrical circuits within a vehicle. They illustrate how various components are connected, allowing for easier identification of issues and understanding of the overall system layout. Here's why wiring diagrams are crucial:

- Troubleshooting: Quickly identify electrical problems and their locations.
- Modification: Assist in upgrading or modifying existing electrical systems.
- Repair: Provide guidance on proper connections for repair work.
- Learning Tool: Help new mechanics understand vehicle electrical systems.

Overview of the 2005 Dodge Ram Electrical

System

The 2005 Dodge Ram is equipped with a complex electrical system that manages everything from the engine to the interior lights. Understanding its structure involves recognizing the key components that rely on electrical connections. The major electrical systems in the 2005 Dodge Ram include:

- Power Distribution Module (PDM): Manages the distribution of power to various electrical components.
- Body Control Module (BCM): Controls functions like lighting, locks, and windows.
- Engine Control Module (ECM): Manages engine performance and diagnostics.
- Lighting System: Includes headlights, taillights, and interior lights.
- Infotainment and Communication Systems: Covers radios, speakers, and navigation systems.

Wiring Diagram Breakdown for the 2005 Dodge Ram

The wiring diagram for the 2005 Dodge Ram can be extensive, but it can be broken down into several key areas:

1. Engine Wiring Diagram

The engine wiring diagram shows connections between the engine components and the ECM. Key elements include:

- Sensors: Such as the Mass Air Flow (MAF) sensor, Oxygen sensors, and Crankshaft Position sensor.
- Actuators: Including fuel injectors and ignition coils.
- Power Supply: The battery connection to the starter and alternator.

2. Chassis Wiring Diagram

The chassis wiring diagram displays the connections related to the vehicle's frame and structure. It includes:

- Power Distribution: Shows connections from the battery to various fuses and relays.
- ABS System: Connections for the Anti-lock Braking System.
- Steering Column: Wiring for the ignition switch, turn signals, and horn.

3. Body Wiring Diagram

The body wiring diagram covers the components within the cab and cargo area:

- Lighting: Headlights, tail lights, brake lights, and interior lights.
- Comfort Features: Power windows, door locks, and seat adjustments.
- Instrumentation: Dashboard gauges and warning lights.

4. Audio and Communication Wiring Diagram

This diagram focuses on the infotainment system and includes:

- Speakers and Amplifiers: Wiring for audio output.
- Radio Connections: Antenna, power, and speaker wires.
- Navigation Systems: Connections for GPS and other navigation aids.

Common Electrical Issues in the 2005 Dodge Ram

While the 2005 Dodge Ram is generally reliable, some common electrical issues can arise. Here are a few:

1. Dead Battery: Often caused by parasitic draws or faulty alternators.
2. Flickering Lights: Typically indicates a loose connection or failing alternator.
3. Non-Functional Power Windows: Could be due to a bad window motor or faulty wiring.
4. Check Engine Light: May point to a range of issues, from sensor problems to ECM failures.

How to Read and Use the Wiring Diagram

Reading a wiring diagram effectively requires understanding the symbols and conventions used. Here are some tips:

- Legend/Key: Always refer to the legend or key provided with the diagram to understand what each symbol represents.
- Color Codes: Wiring diagrams often use color codes to indicate different wire types. Familiarize yourself with these codes for easier identification.
- Flow Direction: Arrows in the diagram can indicate the flow of electricity; this can help in understanding how power is distributed.
- Component Numbers: Each component will have a designated number; cross-reference these with parts manuals for more details.

Steps to Troubleshoot Electrical Issues Using the Wiring Diagram

1. Identify the Problem: Note any symptoms such as lights not working or a warning light on the dashboard.
2. Refer to the Wiring Diagram: Locate the relevant section of the wiring diagram that corresponds to the affected component.
3. Check Connections: Inspect the wiring and connectors for damage, corrosion, or loose connections.
4. Test Components: Use a multimeter to test the voltage and continuity of wires and components.
5. Replace Faulty Parts: If a component is found to be faulty, replace it according to specifications.

Where to Find a 2005 Dodge Ram Wiring Diagram

Accessing a wiring diagram for the 2005 Dodge Ram can be done through various sources:

- Service Manuals: The official Dodge service manual is one of the best resources.
- Online Forums: Automotive forums often have shared diagrams and troubleshooting tips from other owners and mechanics.
- Repair Websites: Websites like Alldata and Mitchell1 provide comprehensive repair information for a subscription fee.
- Auto Parts Stores: Some auto parts stores offer free access to repair guides and wiring diagrams.

Conclusion

In summary, understanding the 2005 Dodge Ram wiring diagram is vital for anyone working on this truck. Whether for basic troubleshooting or complex repairs, a wiring diagram provides clarity and direction in navigating the vehicle's electrical system. By familiarizing yourself with the components, learning how to read the diagrams, and knowing where to find them, you can tackle any electrical issue with confidence. With the right tools and knowledge, you can ensure your Dodge Ram remains in optimal working condition for years to come.

Frequently Asked Questions

Where can I find a reliable wiring diagram for a 2005 Dodge Ram?

You can find a reliable wiring diagram for a 2005 Dodge Ram in the vehicle's service manual, on automotive forums, or websites dedicated to Dodge trucks, such as Dodge Forum or Ram Forum.

What are the common issues related to the wiring in a 2005 Dodge Ram?

Common wiring issues in a 2005 Dodge Ram include damaged wiring harnesses, faulty connections, and problems with the trailer wiring system, which can lead to lighting and electrical failures.

Is it safe to repair wiring issues in a 2005 Dodge Ram myself?

If you have experience with automotive electrical systems and proper tools, it can be safe to repair wiring issues yourself. Otherwise, it's advisable to seek professional help to avoid further complications.

What tools do I need to work with the wiring diagram of a 2005 Dodge Ram?

To work with the wiring diagram of a 2005 Dodge Ram, you'll need tools such as wire strippers, crimpers, a multimeter, electrical tape, and a soldering iron for secure connections.

How do I interpret the wiring diagram for a 2005 Dodge Ram?

To interpret a wiring diagram for a 2005 Dodge Ram, familiarize yourself with symbols used for different components, color codes for wires, and the layout showing how each part connects to the electrical system.

Are there any online resources for troubleshooting wiring issues in a 2005 Dodge Ram?

Yes, there are several online resources such as YouTube tutorials, automotive repair websites, and forums where users share troubleshooting tips and wiring diagrams specifically for the 2005 Dodge Ram.

Find other PDF article:

<https://soc.up.edu.ph/41-buzz/pdf?docid=WBm40-9174&title=mini-garden-unicorn-instructions.pdf>

[2005 Dodge Ram Wiring Diagram](#)

PDF documents - PDF documents 2020 - 1946-2021 ...

? - 08 ...

pdf -

2005 - 2005 6

-

- 2005 13 2006 13 2007 13 2008 ...

- XXX XXX

endnote {#} - endnote word 1 1 2 2 ...

- Utility Patents (Patent Applications Design Patents Plant Patent Reexamination Certificate (B) ...

... 2005 12 8 ...

- PDF documents 2020 - 1946-2021 ...

? - 08 1

pdf -

2005 -

2005 2005 6

-

XXXX XXXX ...

-

2005 13 2006 13 2007 13 2008 13 2009

-

GB2015 B.1 EB GB2015 B.2 ...

endnote {#} -

endnote word 1 1 2 2 endnote 2 endnote ...

-

Utility Patents (Patent Applications Design Patents Plant Patent Reexamination Certificate (B) Reissue Patent (Re) Defensive Publication (T) 1985 Statutory Invention Registration (SIR) ...

...

2005 12 8 ...

Find a detailed 2005 Dodge Ram wiring diagram to simplify your repairs and upgrades. Discover how to troubleshoot with ease—learn more now!

[Back to Home](#)