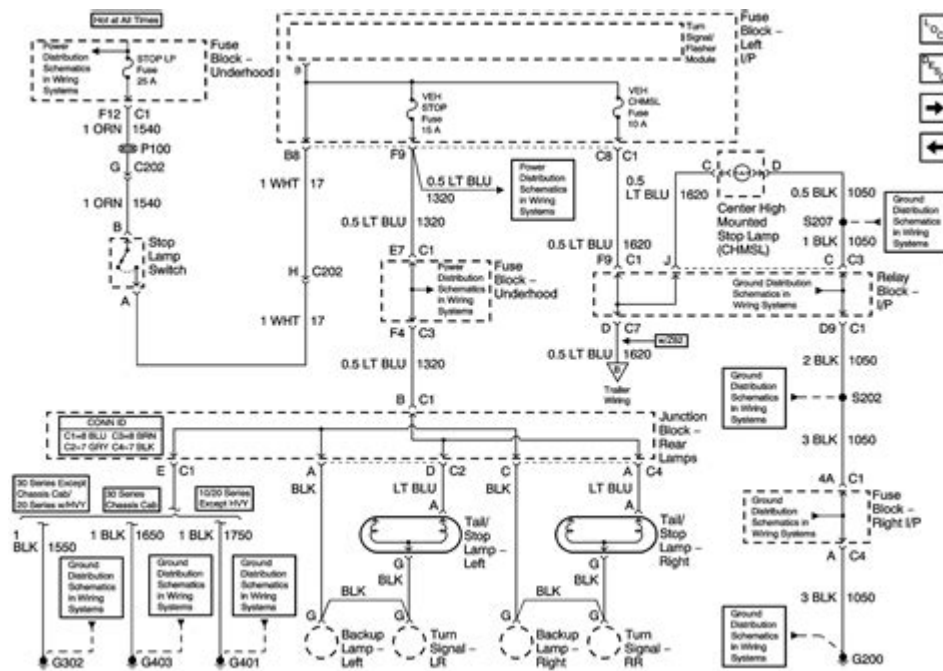


# 2011 Silverado Tail Light Wiring Diagram



2011 Silverado tail light wiring diagram is an essential resource for anyone looking to troubleshoot or modify their vehicle's lighting system. The tail lights on a 2011 Chevrolet Silverado are critical for safety, signaling, and visibility. Understanding the wiring layout can help in diagnosing issues, replacing bulbs, or even customizing the lighting setup. This article will provide a comprehensive overview of the tail light wiring diagram, including detailed descriptions of the components, color codes, and step-by-step instructions for various tasks related to the tail lights.

## Overview of the 2011 Silverado Tail Light System

The tail light system on the 2011 Silverado consists of several components that work together to ensure proper operation. The primary components include:

- Tail Lights: These are the main lights located at the rear of the vehicle, responsible for illuminating the rear when the headlights are on.
- Brake Lights: These lights illuminate when the brake pedal is pressed, alerting drivers behind you that you are slowing down or stopping.
- Turn Signal Lights: These indicate the direction in which the vehicle is turning or changing lanes.
- Reverse Lights: These lights activate when the vehicle is put into reverse gear, providing visibility to the rear and alerting others that the vehicle is backing up.

## Understanding the Wiring Diagram

A wiring diagram visually represents the electrical connections and functions of the tail light system. It typically includes:

- Wire Color Codes: Each wire in the system has a specific color that corresponds to its function.
- Connectors: These are points where wires connect to the tail light assembly or the vehicle's main electrical harness.
- Grounding Points: These are essential for completing the electrical circuit and preventing issues like flickering lights.

## **Key Components of the Wiring Diagram**

### 1. Wiring Colors:

- Brown Wire: Tail light power
- Red Wire: Brake light power
- Yellow Wire: Left turn signal
- Green Wire: Right turn signal
- Black Wire: Ground

### 2. Connectors:

- Tail Light Harness: Connects the tail light assembly to the vehicle's main wiring harness.
- Socket Connectors: Connect bulbs to the wiring harness.

### 3. Grounding:

- Proper grounding is critical to ensure that all lights function correctly. Check for corrosion or loose connections at the grounding points.

## **Step-by-Step Guide to Access and Modify the Tail Light Wiring**

Whether you are troubleshooting a problem or upgrading your tail lights, accessing the wiring can be straightforward. Follow these steps:

### **Tools Required**

- Screwdriver set (flathead and Phillips)
- Wire strippers and crimpers
- Multimeter (for testing voltage and continuity)
- Electrical tape
- Replacement bulbs (if needed)

### **Accessing the Tail Light Assembly**

1. Open the Tailgate: Ensure that the tailgate is down to provide access to the tail light assembly.
2. Remove the Tail Light Cover:
  - Locate the screws or clips holding the tail light assembly in place.
  - Use the screwdriver to remove these fasteners carefully.
  - Gently pull the tail light assembly away from the vehicle.

### 3. Disconnect the Wiring Harness:

- Locate the connector attached to the tail light assembly.
- Press the tab on the connector and pull it apart to disconnect it.

## Testing the Tail Light Functions

### 1. Check for Power:

- Set your multimeter to measure DC voltage.
- With the tail lights turned on, probe the brown wire for voltage. You should see approximately 12 volts.
- Repeat this process for the red (brake), yellow (left turn), and green (right turn) wires while activating their respective functions.

### 2. Inspecting Bulbs:

- Remove the bulb from the socket and visually inspect it for any damage. If the filament is broken or the glass is cloudy, replace it.
- Test the socket for continuity and ensure it's not corroded.

## Common Tail Light Issues and Solutions

Understanding common problems can save time and resources. Here are some frequent issues and their solutions:

### Issue 1: One Tail Light Not Working

- Possible Causes:
  - Burnt-out bulb
  - Faulty wiring connection
  - Grounding issue

- Solution:

1. Replace the bulb.
2. Check the wiring harness connection for damage or corrosion.
3. Ensure that the grounding point is clean and secure.

### Issue 2: Both Tail Lights Not Functioning

- Possible Causes:
  - Blown fuse
  - Wiring harness failure

- Solution:

1. Check the fuse box for the tail light fuse and replace it if blown.
2. Inspect the wiring harness for any breaks or shorts.

## **Issue 3: Brake Lights Not Working**

- Possible Causes:
- Bad brake light switch
- Faulty wiring

- Solution:

1. Test the brake light switch for continuity and replace it if necessary.
2. Check wiring from the switch to the tail light assembly for any issues.

## **Upgrading Your Tail Lights**

For those interested in enhancing their vehicle's appearance or functionality, upgrading tail lights can be a great option. Here are some considerations:

### **Types of Upgrades**

- LED Tail Lights: These offer brighter illumination and consume less power.
- Custom Tail Lights: These can have unique designs and colors that stand out.
- Smoke or Clear Lenses: These provide a different aesthetic while still being functional.

### **Installation Tips**

1. Follow the manufacturer's instructions provided with the new tail lights.
2. Ensure all connections are secure and properly insulated.
3. Test all functions before reassembling the tail light housing.

## **Conclusion**

The 2011 Silverado tail light wiring diagram is an invaluable tool for any Silverado owner or DIY enthusiast. Understanding the wiring layout and components involved allows for effective troubleshooting, maintenance, and upgrades. By following the outlined steps and solutions, you can ensure that your tail light system remains functional and safe, enhancing both the vehicle's performance and your driving experience. Whether you're replacing bulbs or upgrading to a modern lighting system, having a solid grasp of the wiring diagram will always be beneficial.

## **Frequently Asked Questions**

### **What is the typical wiring diagram for the tail lights on a 2011 Chevrolet Silverado?**

The typical wiring diagram for the tail lights on a 2011 Chevrolet Silverado includes a harness with

wires for the left and right tail lights, brake lights, and turn signals, usually color-coded as follows: left tail light - brown, right tail light - yellow, brake lights - red, and turn signals - green (left) and purple (right).

## **How can I troubleshoot tail light issues on a 2011 Silverado using the wiring diagram?**

To troubleshoot tail light issues, refer to the wiring diagram to check for continuity in each wire, inspect for any corrosion or damage at connectors, and ensure that the bulbs are functioning. Use a multimeter to test voltage at the connectors while the lights are activated.

## **Where can I find a detailed wiring diagram for the 2011 Silverado tail lights?**

A detailed wiring diagram for the 2011 Silverado tail lights can typically be found in the vehicle's service manual, online automotive repair databases, or forums dedicated to Chevrolet truck modifications and repairs.

## **What common problems can arise with the tail light wiring in a 2011 Silverado?**

Common problems include frayed or damaged wires due to wear and tear, poor ground connections leading to intermittent light function, and blown fuses that can disrupt the power supply to the tail lights.

## **Can I use aftermarket tail lights with the existing wiring on my 2011 Silverado?**

Yes, you can use aftermarket tail lights with your existing wiring on a 2011 Silverado, but ensure that the aftermarket lights are compatible and that you follow the wiring diagram to connect them correctly to avoid issues with functionality.

Find other PDF article:

<https://soc.up.edu.ph/15-clip/pdf?dataid=LQo96-7686&title=crossfit-competition-training-program.pdf>

## **[2011 Silverado Tail Light Wiring Diagram](#)**

### **2011 - Wikipedia**

2011 (MMXI) was a common year starting on Saturday of the Gregorian calendar, the 2011th year of the Common Era (CE) and Anno Domini (AD) designations, the 11th ...

### **[2011: Facts & Events That Happened in This Year - The Fact Site](#)**

Discover the world-changing events that shaped 2011, from the death of Osama bin Laden, to

natural disasters, technological milestones, and so much more!

### **What Happened in 2011 - On This Day**

What happened and who was famous in 2011? Browse important and historic events, world leaders, famous birthdays and notable deaths from the year 2011.

*What Happened In 2011 - Historical Events 2011 - EventsHist...*

What happened in the year 2011 in history? Famous historical events that shook and changed the world. Discover events in 2011.

2011's top stories worldwide: Bin Laden, Gadhafi, tsunami and ...

Dec 20, 2011 · From the Arab spring to the death of Osama bin Laden, 2011 was filled with landmark events the world over.

2011 - Wikipedia

2011 (MMXI) was a common year starting on Saturday of the Gregorian calendar, the 2011th year of the ...

*2011: Facts & Events That Happened in This Year - The F...*

Discover the world-changing events that shaped 2011, from the death of Osama bin Laden, to natural ...

What Happened in 2011 - On This Day

What happened and who was famous in 2011? Browse important and historic events, world leaders, famous ...

*What Happened In 2011 - Historical Events 2011 - Event...*

What happened in the year 2011 in history? Famous historical events that shook and changed the world. ...

**2011's top stories worldwide: Bin Laden, Gadhafi, tsunam...**

Dec 20, 2011 · From the Arab spring to the death of Osama bin Laden, 2011 was filled with landmark events the ...

"Need a 2011 Silverado tail light wiring diagram? Our comprehensive guide offers clear diagrams and tips. Learn more to simplify your tail light repairs!"

[Back to Home](#)